

SMD SPRING AIR COILS / AC TYPE

FEATURES

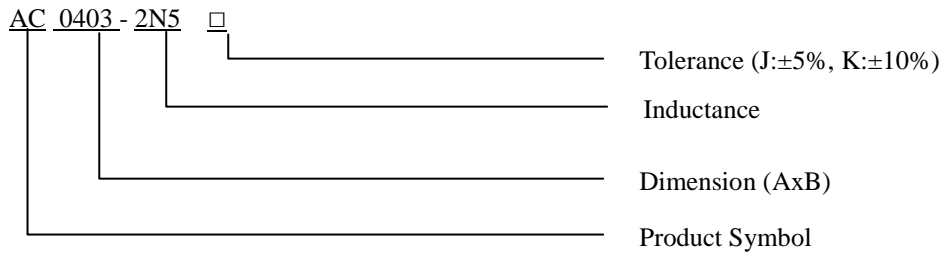
- ◆ Tinned leads assure reliable soldering
- ◆ Jacket with a high temperature material which assures mechanical stability and small tolerance
- ◆ Forms a flat tope making them suitable for automatic placement and reflow



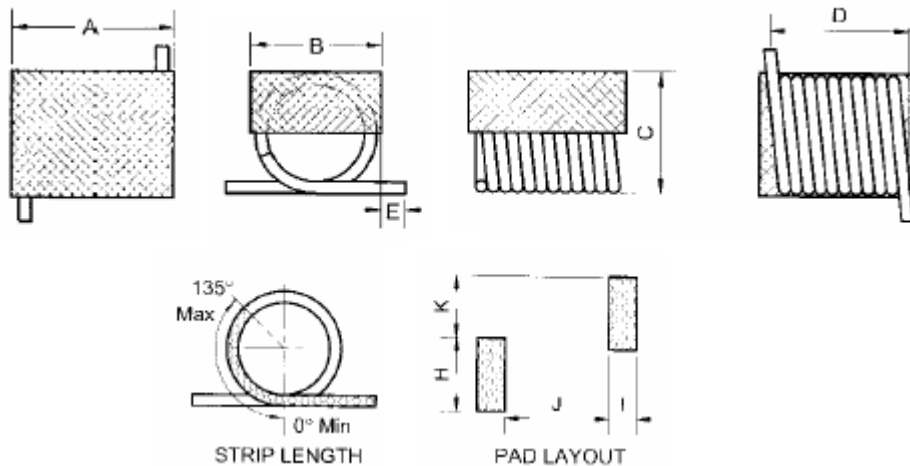
APPLICATIONS

- ◆ Microwave
- ◆ TVs and Audios
- ◆ Band pass equipment
- ◆ Satellite communication systems

ORDERING CODE



SHAPES



CORE MASTER ENTERPRISE CO., LTD.

<http://www.coremaster.com.tw>



SMD SPRING AIR COILS / AC TYPE

DIMENSIONS (UNIT: mm)

Part No.	A (Ref.)	B (Ref.)	C (Ref.)	D	E	H (Ref.)	I (Ref.)	J (Ref.)	K (Ref.)
AC 0403	3.68	3.05	3.18	2.92±0.25	0.58±0.38	3.30	1.27	1.65	2.79
AC 0504	4.95	3.81	4.20	4.32±0.39	1.53±0.39	5.16	1.48	2.85	2.62
AC 0703	6.86	3.05	3.18	5.84±0.25	0.58±0.38	3.30	1.27	4.70	2.79
AC 1006	10.55	6.35	5.97	7.98±0.51	1.27±0.39	4.70	2.04	5.95	2.42

SPECIFICATIONS

Part No.	Inductance (nH)	Test Freq. (MHz)	DC Resistance (mΩ) Max	Rated Current (A) Max
AC 0403-2N5 □	2.5	150	1.1	4.0
AC 0403-5N0 □	5.0	150	1.8	4.0
AC 0403-8N0 □	8.0	150	2.6	4.0
AC 0403-12N5 □	12.5	150	3.4	4.0
AC 0403-18N5 □	18.5	150	3.9	4.0
AC 0504-22N □	22.0	150	4.2	3.0
AC 0504-27N □	27.0	150	4.0	3.5
AC 0504-33N □	33.0	150	4.8	3.0
AC 0504-39N □	39.0	150	4.4	3.0
AC 0504-47N □	47.0	150	5.6	3.0
AC 0504-56N □	56.0	150	6.2	3.0
AC 0504-68N □	68.0	150	8.2	2.5
AC 0504-82N □	82.0	150	9.4	2.5
AC 0504-R10 □	100.0	150	12.3	1.7
AC 0504-R12 □	120.0	150	17.3	1.5
AC 0703-17N5 □	17.5	150	4.5	4.0
AC 0703-22N □	22.0	150	5.2	4.0
AC 0703-28N □	28.0	150	6.0	4.0
AC 0703-35N5 □	35.5	150	6.8	4.0
AC 0703-43N □	43.0	150	7.9	4.0
AC 1006-90N □	90.0	50	15.0	3.5
AC 1006-R169 □	169.0	50	25.0	3.0
AC 1006-R206 □	206.0	50	30.0	3.0
AC 1006-R222 □	222.0	50	35.0	3.0
AC 1006-R246 □	246.0	50	35.0	3.0
AC 1006-R307 □	307.0	50	35.0	3.0
AC 1006-R380 □	380.0	50	50.0	2.5
AC 1006-R422 □	422.0	50	60.0	2.5
AC 1006-R491 □	491.0	50	65.0	2.0
AC 1006-R538 □	538.0	50	90.0	2.0

CORE MASTER ENTERPRISE CO., LTD.



<http://www.coremaster.com.tw>